

**NZ 73/02 SOUTH PACIFIC – Cook Islands – Mangaia and Atiu Islands – Lights Discontinued.**

**Chart NZ 93 [ 72/02 ]**

Delete ★ Fl.7M 21° 54'.95S., 157° 57'.30W.  
 ★ Fl.(3)10M 19° 58'.77S., 158° 08'.39W.

**Chart NZ 955 (plan, Mangaia) [ 85/01 ]**

Delete ★ Fl.10s7m7M 21° 54'.95S., 157° 57'.30W.  
 ★ 58m (occas) 21° 55'.60S., 157° 57'.75W.

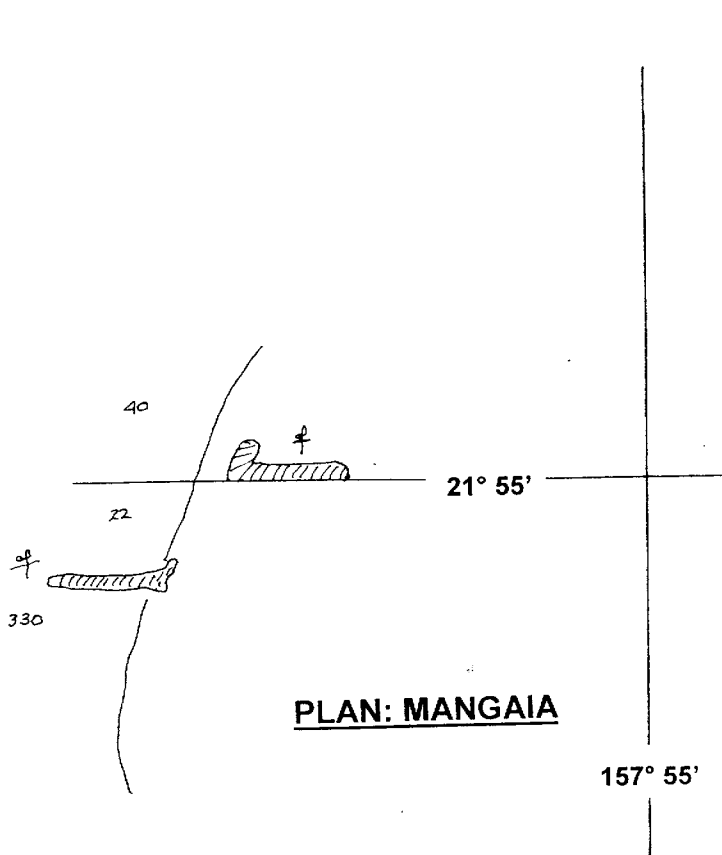
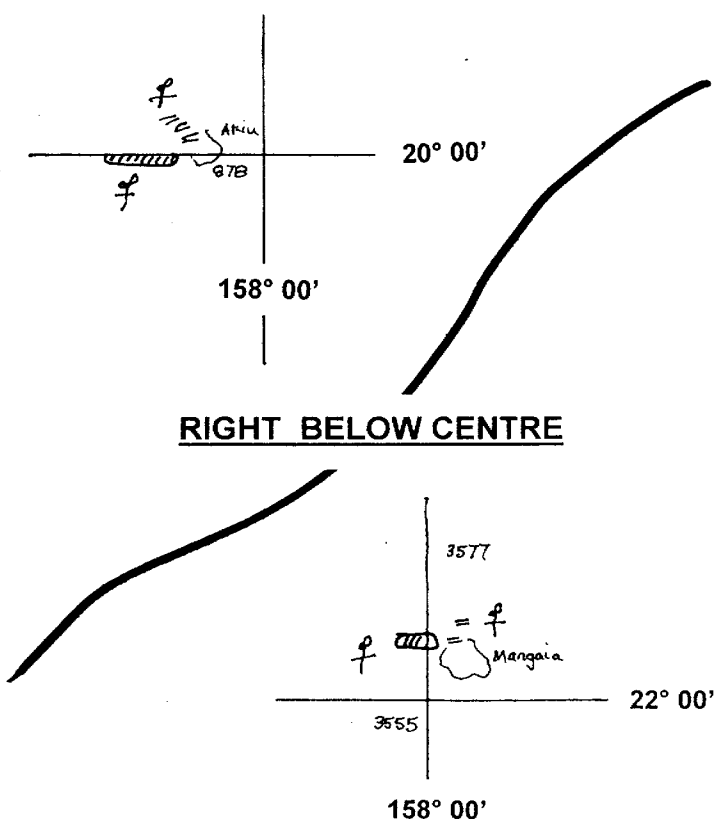
**Chart NZ 955 (plan, Atiu)**

★ Fl.(3)20s30m10M 19° 58'.77S., 158° 08'.39W.

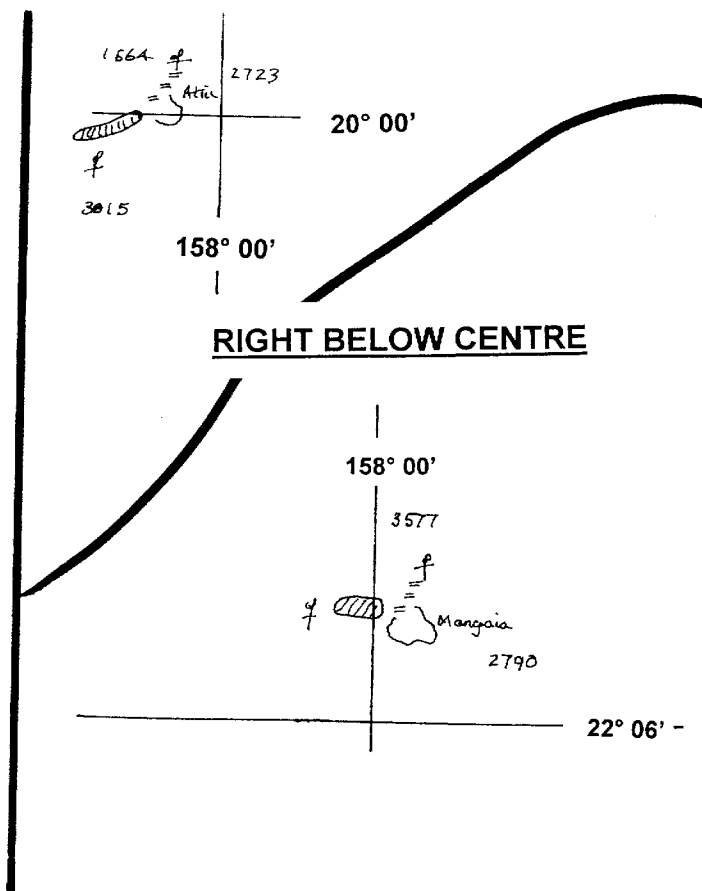
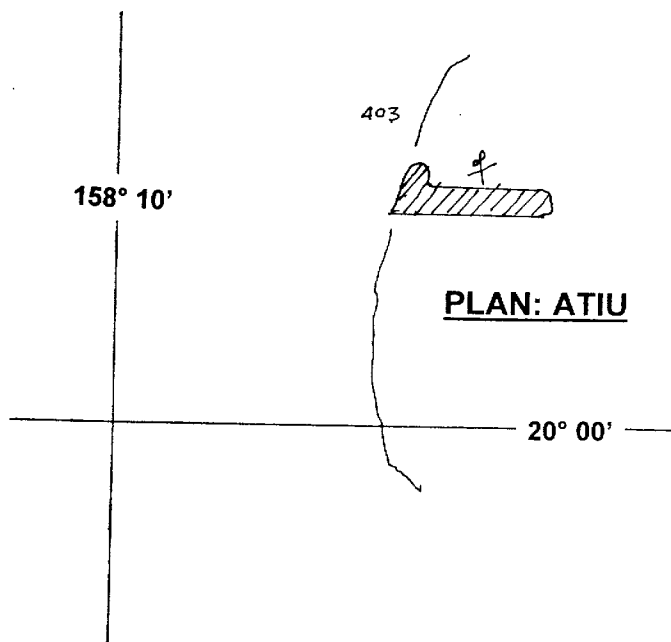
**Chart NZ 14630 (INT 630) [ 72/02 ]**

Delete ★ Fl.7M 21° 54'.95S., 157° 57'.30W.  
 ★ Fl.(3)10M 19° 58'.77S., 158° 08'.39W.

Cook Islands Ports Authority  
 SWP Light List K4567, 4568, 4569  
 NI 57/2002



Issued as a guide to chart correction. Use in conjunction with the appropriate NZ Notice to Mariners			Issued as a guide to chart correction. Use in conjunction with the appropriate NZ Notice to Manners		
LAST CORRECTION	NZ NTM No.	CHART No.	LAST CORRECTION	NZ NTM No.	CHART No.
NZ 72/02	NZ 73/02	NZ 93	NZ 85/01	NZ 73/02	NZ 955



<i>Issued as a guide to chart correction. Use in conjunction with the appropriate NZ Notice to Mariners</i>			<i>Issued as a guide to chart correction. Use in conjunction with the appropriate NZ Notice to Mariners</i>		
<b>LAST CORRECTION</b>	<b>NZ NTM No.</b>	<b>CHART No.</b>	<b>LAST CORRECTION</b>	<b>NZ NTM No.</b>	<b>CHART No.</b>
NZ 85/01	NZ 73/02	NZ 955	NZ 72/02	NZ 73/02	NZ 14630 (INT 630)